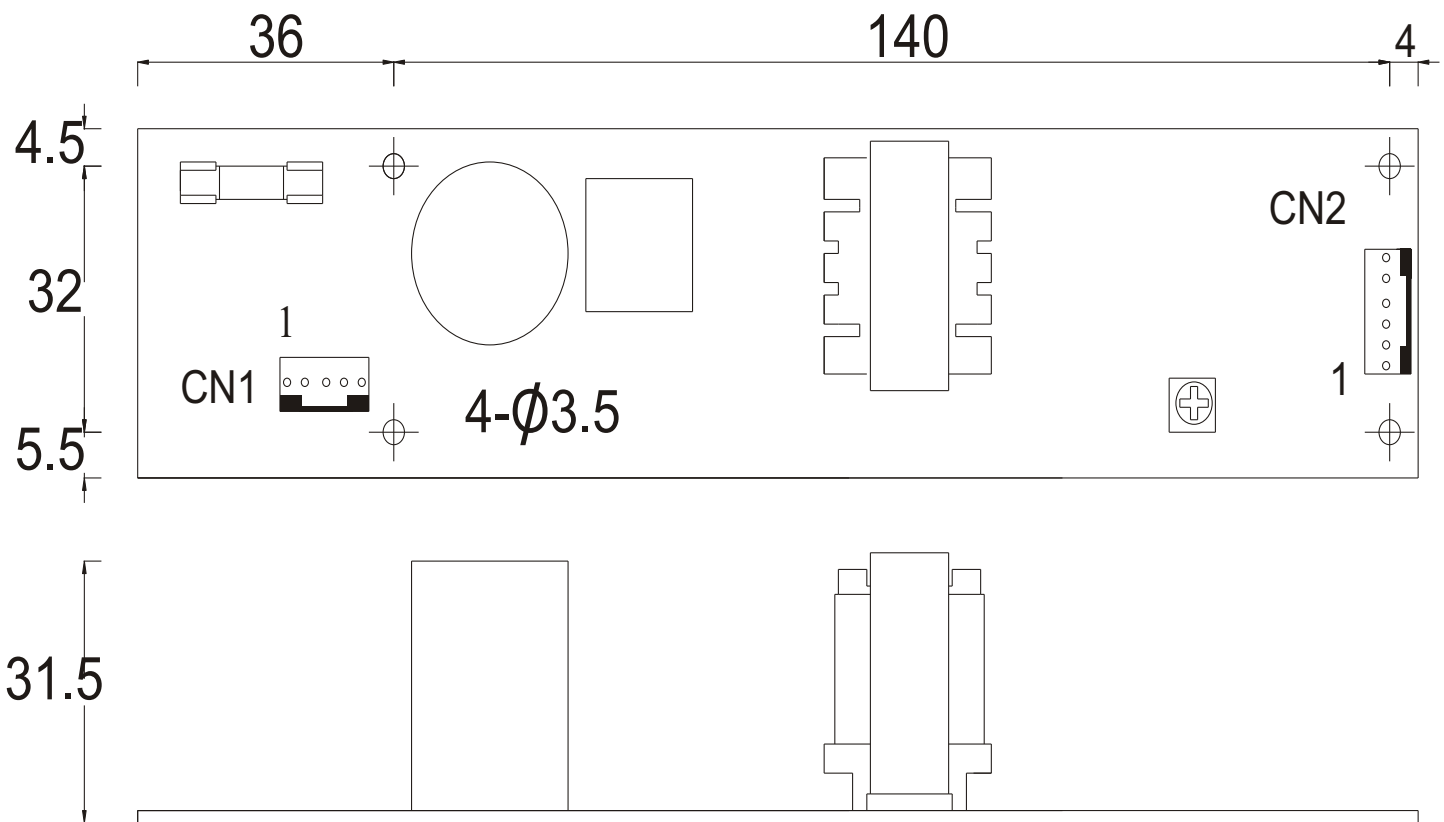




## Mechanical Details



## Panel Designation

CASE NO: NF034

UNIT: mm

DIMENSIONS :

180(L) x 42(W) x 31.5(H)mm

**Input connector (CN1):****3.96mm crimp style connector**

3Pin (Pin 2 no pole) · 3.96mm · JS-4001

Pin	Input	Description
1	N	Neutral Terminal of AC Input
3	L	Line Terminal of AC Input

**No Polarity At DC Input****DC Output Connector (CN2):****3.96mm crimp style connector****Single output:** 2Pin · 3.96mm · JS-4001**Dual output:** 3Pin · 3.96mm · JS-4001

Pin	Single	Dual	Description
1	G	V2	G: DC Output Ground Terminal Vx: DC Output Terminal
2	V1	G	
3	/	V1	(Specify at spec.)